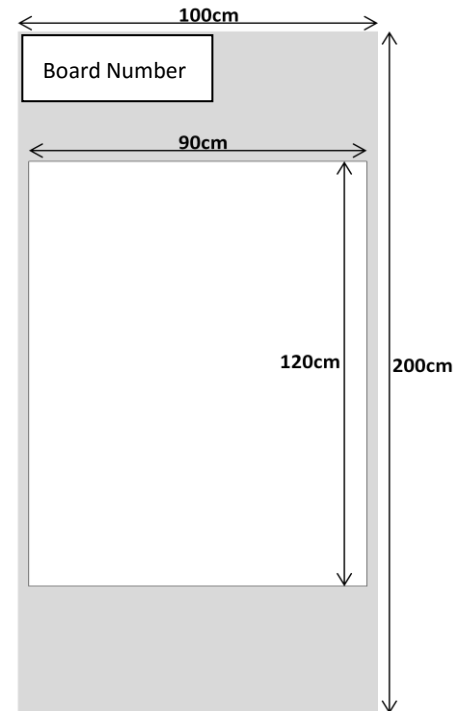


Scientific Poster Presentation

- Presentation language: English
- The board dimension is W100(cm)xH200(cm) and the suggested size of your final poster is (**W90cmxH120cm**) to avoid possibility of the poster being too large for the allocated space.
- The Board Number will be placed on the upper part of the poster board. **Paper number, authors' names, affiliations and countries** should be included on the posters. The titles should be the same as the one in your abstract.
- Posters will be fixed using double-sided tape provided on-site.
- Reference figures and illustration numbers appropriately and place them in a logical order and a consistent location to allow easy reference.
- Recommended fonts are Times New Roman, Arial, Verdana, and Tahoma. Please be sure to use consistent font type throughout the presentation. A minimum point size of 20 is recommended.
- Proof read all text, figures, and illustrations for factual, grammatical and spelling errors. Emphasize key points using a larger font size, bolding or highlighting in a different color.
- Presenters must be set up and removed during the designated time period. Those that were not removed during the tear-down period will be collected and disposed of.
- Presentations should serve as an educational purpose. They should not promote commercial products. Solicitation of sales is inappropriate and unacceptable in any scientific presentation



Please find the poster set up & tear down time as below

DATE & TIME	XII AOCNR	XXI SNR
Installation	Mar. 17, 2018 @ 1700- 1800	Mar. 19, 2018 @ 1800- 1900
	Mar. 18, 2018 @ 0900- 1000	Mar. 20, 2018 @ 0800- 0900
Dismantling	Mar. 19, 2018 @ 1700- 1800	Mar. 23, 2018 @ 1530- 1700

Scientific Poster Schedule

	Date	Time
AOCNR	3/19	1000- 1020
SNR	3/20	1000- 1020
		1540- 1600
	3/21	1000- 1010
		1540- 1600
	3/22	1000- 1010
		1540- 1600